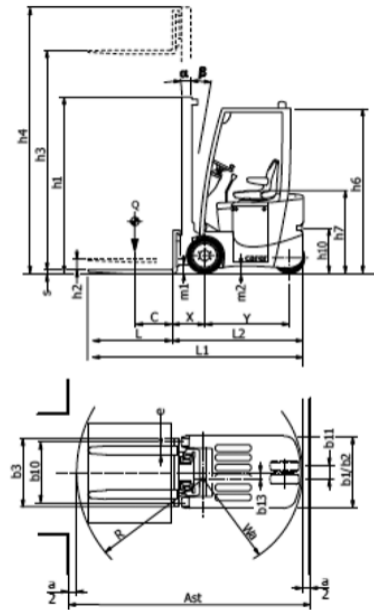


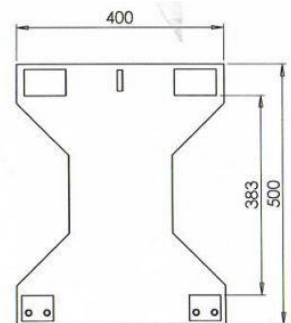
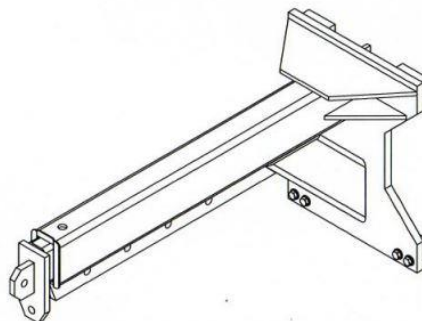
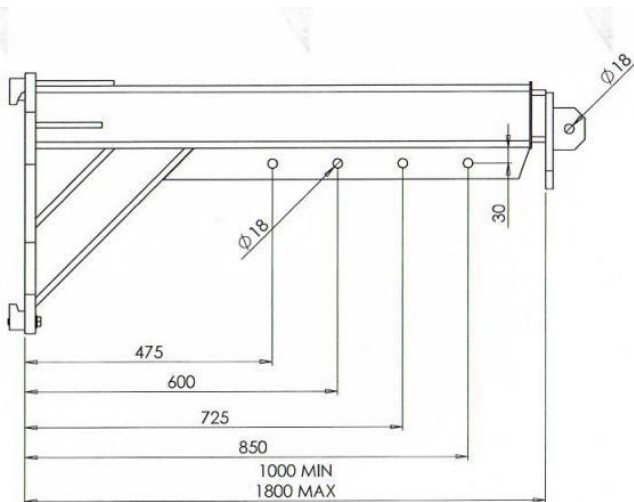
## MAIN FEATURES

- Capacity: 800-1000 kg
  - Load centre: 500 mm
  - Voltage: 48 V
  - Tyres: SE-C
  - Motors: AC
  - Brakes: electric
  - Automatic parking brake
  - Travel speed: 13 km/h
  - Lifting speed: 0.4 m/s
  - Battery: 48 V – Maximum capacity: 375 Ah
- 
- 2 front traction motors
  - Rear twin tyres
  - Multifunction display



a=200 mm

## Mogelijkheid tot het bevestigen van een Jib



IDENTIFICATION	1.1	Manufacturer		
	1.2	Manufacturer's type designation		<b>N 10</b>
	1.3	Drive		electric
	1.4	Operator type		seat
	1.5	Load capacity/rated load	<b>Q</b> (t)	1
	1.6	Load centre distance	<b>C</b> (mm)	500
	1.8	Load distance	<b>X</b> (mm)	365 <sup>(1) (2)</sup>
	1.9	Wheelbase	<b>Y</b> (mm)	1000
	WEIGHTS	2.1	Weight	(kg)
2.2		Axle loading, laden front / rear	(kg)	3200 / 400
2.3		Axle loading, unladen front / rear	(kg)	1340 / 1260
WHEELS	3.1	Tyres type		C-SE
	3.2	Tyre size, front		413x152 16x6-8
	3.3	Tyre size, rear		375x110 15x4½-8
	3.5	Wheels, number front rear (x = driven wheels)		2X / 2
	3.6	Track width, front	<b>b10</b> (mm)	698 698
	3.7	Track width, rear	<b>b11</b> (mm)	160
	DIMENSIONS	4.1	Tilt of mast / fork carriage forward / backward	<b>α/β</b> (°)
4.2		Closed mast height	<b>h1</b> (mm)	2190
4.3		Free lift	<b>h2</b> (mm)	0
4.4		Lift (standard mast)	<b>h3</b> (mm)	3200
4.5		Height, mast extended	<b>h4</b> (mm)	3790
4.7		Height of overhead guard	<b>h6</b> (mm)	1975
4.8		Seat height	<b>h7</b> (mm)	980
4.12		Coupling height	<b>h10</b> (mm)	440
4.19		Overall length	<b>L1</b> (mm)	2535
4.20		Length to face of forks	<b>L2</b> (mm)	1535
4.21		Overall width	<b>b1/b2</b> (mm)	850 850
4.22		Fork dimensions	<b>BxDxL</b> (mm)	100x35x1000
4.23		Fork carriage iso 2328/30, FEM/A,B		2A
4.24		Fork-carriage width	<b>b3</b> (mm)	800
4.31		Ground clearance, laden, below mast	<b>m1</b> (mm)	50
4.32		Ground clearance, centre of wheelbase	<b>m2</b> (mm)	75
4.33		Aisle width for pallets 1000x1200 crossways	<b>Ast</b> (mm)	2840
4.34		Aisle width for pallets 800x1200 lengthways	<b>Ast</b> (mm)	2960
4.35	Turning radius	<b>Wa</b> (mm)	1150	
4.36	Internal turning radius	<b>b13</b> (mm)	0	
PERFORMANCE	5.1	Travel speed, laden / unladen	(km/h)	11 / 12
	5.2	Lift speed, laden / unladen	(m/s)	0.28 / 0.4
	5.3	Lowering speed, laden / unladen	(m/s)	0.5 / 0.4
	5.5	Drawbar pull, laden / unladen (S2 60°)		2200 / 2400
	5.6	Max. drawbar pull, laden / unladen (S2 5°)	(N)	5400 / 5700
	5.7	Gradeability, laden / unladen (S2 30°)	(%)	8.9 / 13.1
	5.8	Max. gradeability, laden / unladen (S2 5°)	(%)	15.5 / 22.3
	5.9	Acceleration time, laden / unladen (10 m)	(s)	5.7 / 4.7
	5.10	Service brake		hydr. / electr.
	MOTOR / BATT.	6.1	Drive motor rating (S2 60°)	(kW)
6.2		Lift motor rating (S3 20%)	(kW)	5.5
6.4		Battery voltage	<b>U</b> (V)	48
6.4.1		Rated capacity	<b>K5</b> (Ah)	315 / 375
6.5		Battery weight minimum/maximum	(kg)	560 / 600
OTHERS	8.1	Type of drive control		inverter
	8.2	Operating pressure for attachments	(bar)	180
	8.4	Sound level at the driver's ear	(dBA)	-